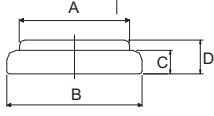

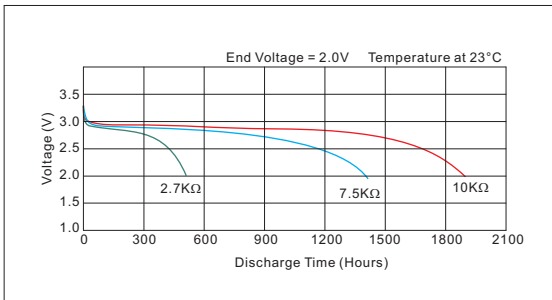


## CR2354 Specification

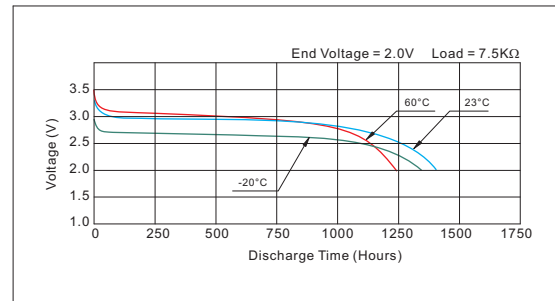
### Primary Lithium Manganese Dioxide Battery

Nominal Voltage	3V	 <p>A = <math>\varnothing 20.2</math>                  B = <math>\varnothing 23.0^{+0.03}</math>                  C = 4.7                  D = <math>5.4^{+0.03}</math></p> <p>Dimension: mm</p> 
Nominal Capacity	530mAh	
Continuous Standard Load	7.5K $\Omega$	
Operating Temperature	-20° - 60°C	
Weight	6.0g	
Max. Continuous Discharge	0.75mA	
Max. Pulse Discharge	15mA	

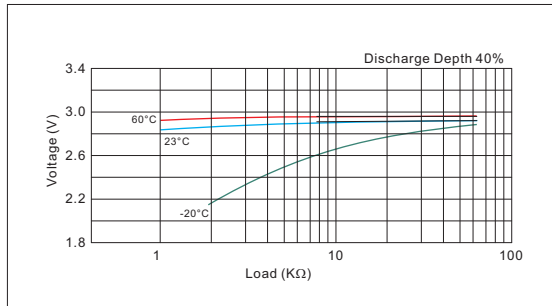
Discharge Characteristics



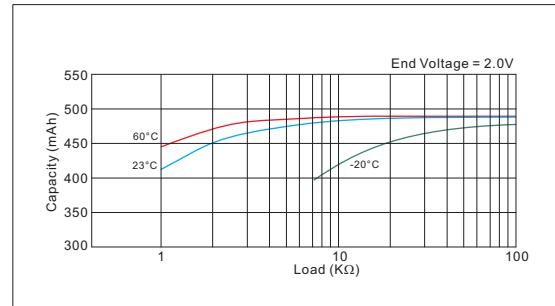
Temperature Characteristics



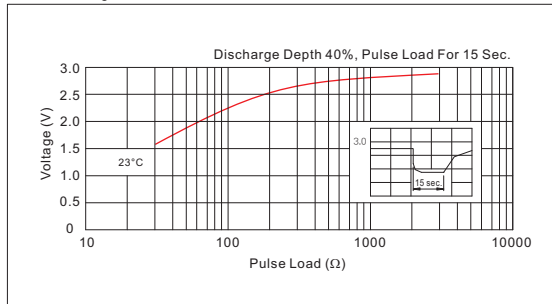
Load vs. Operating Voltage



Load vs. Capacity



Pulse Discharge Characteristics



Storage Characteristics

