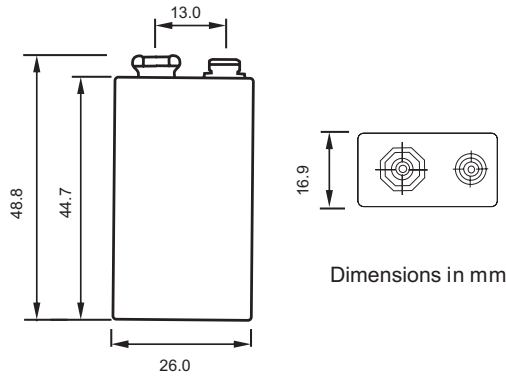


Equivalent Size: 9V, 6F22



Dimensions in mm

Electrical characteristics

■ Nominal Capacity	1000mAh
Stored for one year or less at 0.5mA, 20°C, 2.0V cut-off	
■ Rated Voltage	10.8V
■ Max. Recommended Continuous Current	35mA
Current value is determined to be the level at which the nominal capacity is obtained with an end voltage of 5.4V at 25°C	
■ Max. Pulse Current	100mA
Current value is obtaining 5.4V cell voltage when pulse is applied for 15 seconds at 50% discharge depth at 25°C	
■ Storage (Recommended Max. Temperature)	30°C
■ Operating Temperature Range	-55°C~ +85°C
■ Approximate Weight	29g

ER9VE Specification

Primary Lithium Thionyl Chloride
10.8V, 1000mAh

Key Features

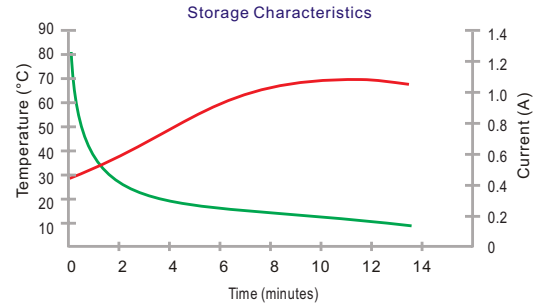
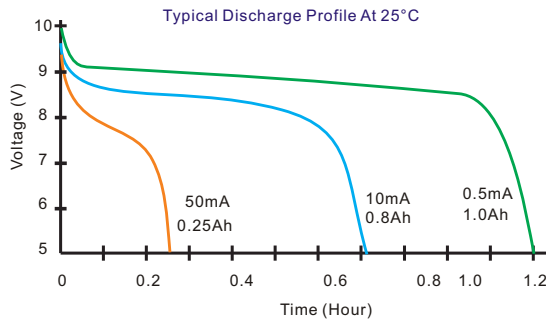
- High and stable operating voltage
- Low self-discharge rate - less than 1% after 1 year of storage at +20°C
- Stainless steel container
- Hermetic glass-to-metal sealing
- Compliant with IEC 86-4 safety standard
- Non-restricted for transport



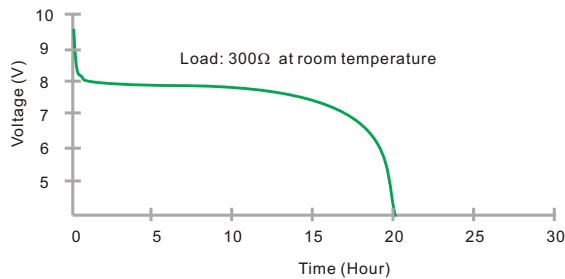
UL Component Recognition
File Number MH45330

Main Applications

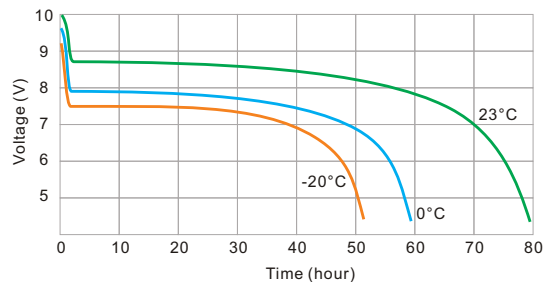
- Alarm and security devices
- Smoke detectors
- Memory back-up
- Alarm equipment
- Industrial electronics
- Medical equipment etc.



Capacity vs Current vs Temperature



Voltage vs Current vs Temperature



WARNING: Risk of fire and burn. Do not recharge, disassemble, heat above 100°C or incinerate. Do not mix fresh batteries with used batteries.