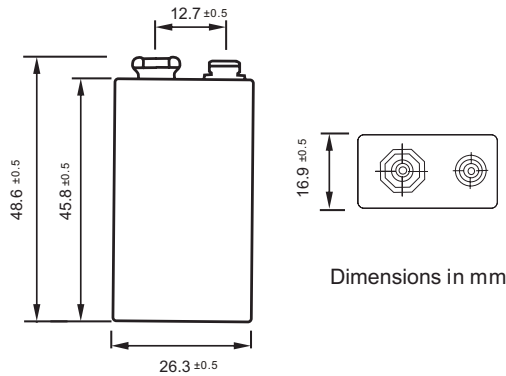


Equivalent Size: 9V, 6F22



Dimensions in mm

Electrical characteristics

(Typical values for cells stored for one year or less at +25°C)

■ Nominal Capacity	1200mAh
Discharged capacity at 1mA, +25°C, 6.0V cut off.	
■ Rated Voltage	10.8V
■ Max. Recommended Continuous Current	25mA
Discharged to 6.0V at +25°C permitting 50% of the nominal capacity to be achieved.	
■ Max. Pulse Current	100mA
100mA, 0.1 second pulses every 2 minutes, drained with 50%, 1mA at 25°C from undischarged cells with 20µA base current, yield voltage readings above 6V, the value may vary according to the pulse characteristics, the temperature and the cell previous history.	
■ Storage (Recommended Max. Temperature)	30°C
Stored in clean, dry and cool condition.	
■ Operating Temperature Range	-55°C~ +85°C
■ Approximate Weight	33g

ER9VE Specification

Primary Lithium Thionyl Chloride
10.8V, 1200mAh

Key Features

- High and stable operating voltage
- Low self-discharge rate - less than 1% after 1 year of storage at +20°C
- Stainless steel container
- Hermetic glass-to-metal sealing
- Compliant with IEC 86-4 safety standard
- Non-inflammable electrolyte

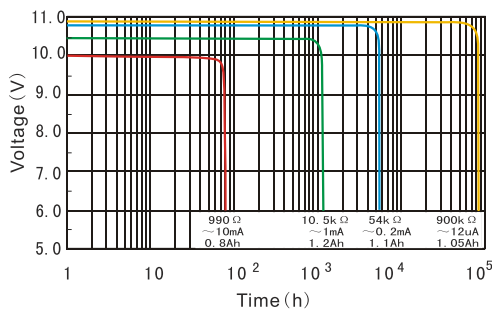


UL Component Recognition
File Number MH45330

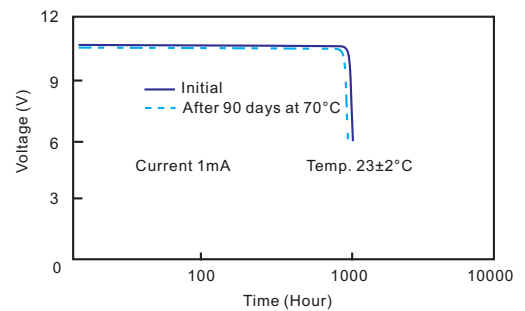
Main Applications

- Alarm and security devices
- Smoke detectors
- Memory back-up
- Alarm equipment
- Industrial electronics
- Medical equipment etc.

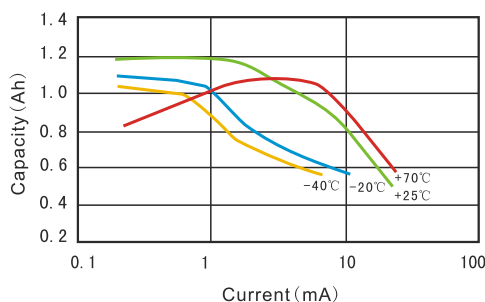
Discharge characteristics at 25°C



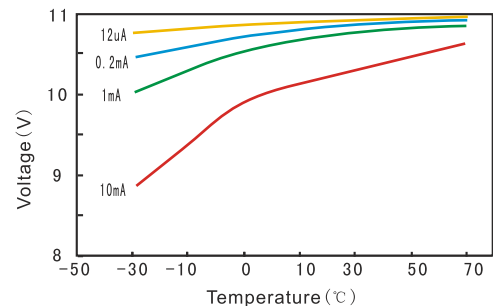
Storage Characteristics



Capacity vs Current curve (cut off with 6.0V)



Voltage vs Temperature curve



WARNING: Risk of fire and burn. Do not recharge, disassemble, heat above 100°C or incinerate. Do not mix fresh batteries with used batteries.

**Note: Any representations in this data sheet concerning performance are for informational purpose only and are not construed as warranties, either expressed or implied, of future performance.