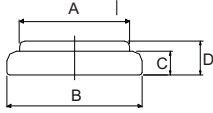

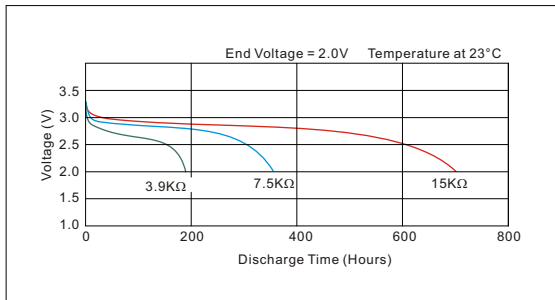


CR2320 Specification

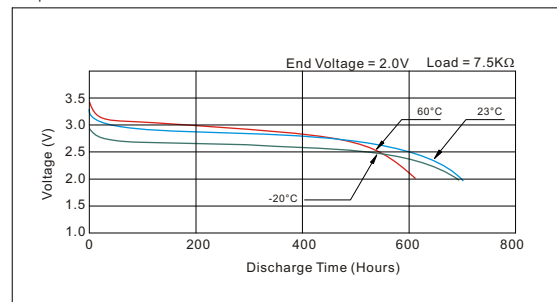
Primary Lithium Manganese Dioxide Battery

Nominal Voltage	3V	 <p>A = $\phi 20.3$ B = $\phi 23.0^{+0.03}$ C = 1.7 D = $2.0^{+0.03}$</p> <p>Dimension: mm</p> 
Nominal Capacity	130mAh	
Continuous Standard Load	15K Ω	
Operating Temperature	-20° - 60°C	
Weight	6.0g	
Max. Continuous Discharge	0.75mA	
Max. Pulse Discharge	15mA	

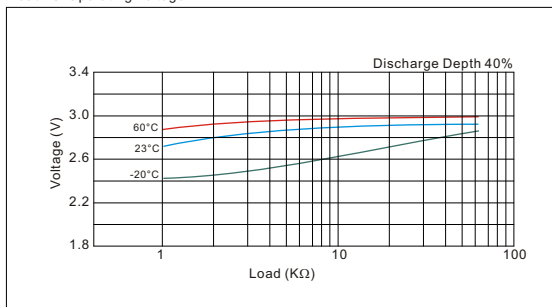
Discharge Characteristics



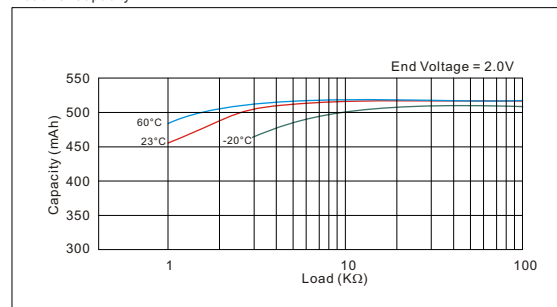
Temperature Characteristics



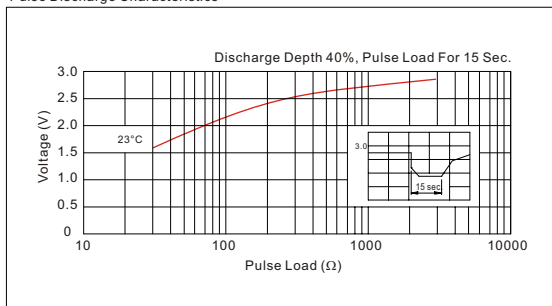
Load vs. Operating Voltage



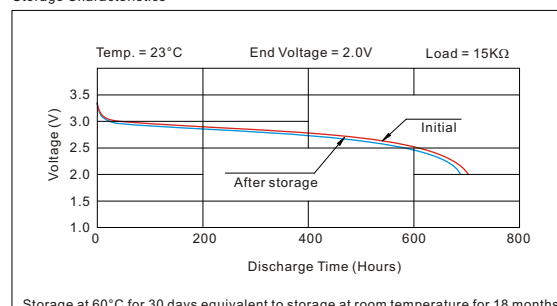
Load vs. Capacity



Pulse Discharge Characteristics



Storage Characteristics



WARNING: Risk of fire and burn. Do not recharge, disassemble, heat above 100°C or incinerate. Do not mix fresh batteries with used batteries.

**Note: The data in this document are for descriptive purposes only and subject to change without prior notice.