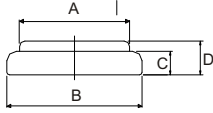

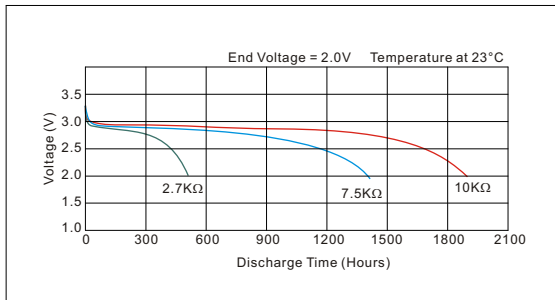


CR2354 Specification

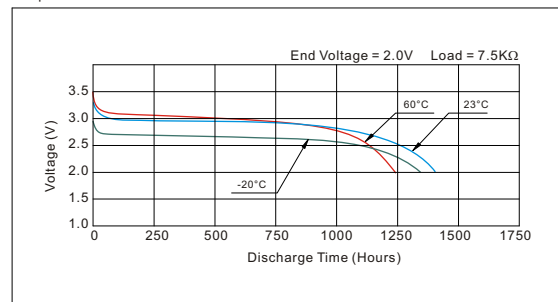
Primary Lithium Manganese Dioxide Battery

Nominal Voltage	3V	 <p>A = $\varnothing 20.4$ B = $\varnothing 23.0^{+0.03}$ C = 4.35 D = $5.4^{+0.0}_{-0.3}$</p> <p>Dimension: mm</p> 
Nominal Capacity	560mAh	
Continuous Standard Load	7.5K Ω	
Operating Temperature	-20° - 70°C	
Weight	6.9g	
Max. Continuous Discharge	0.75mA	
Max. Pulse Discharge	15mA	

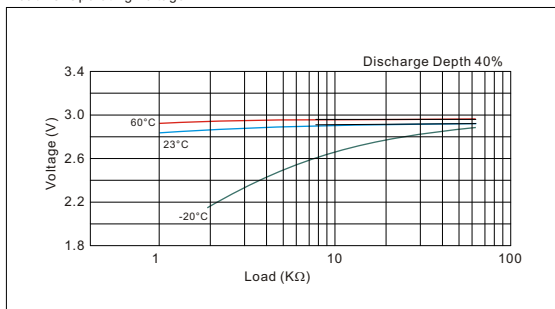
Discharge Characteristics



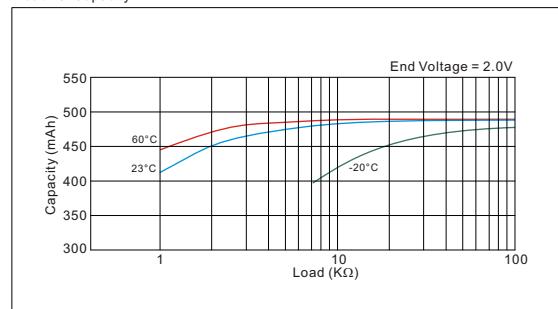
Temperature Characteristics



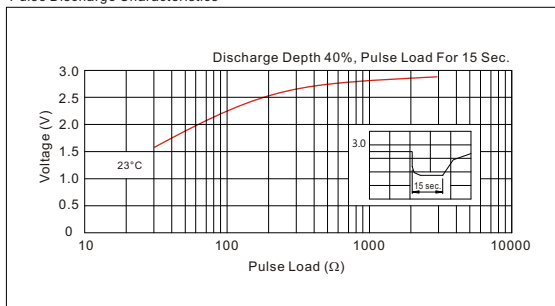
Load vs. Operating Voltage



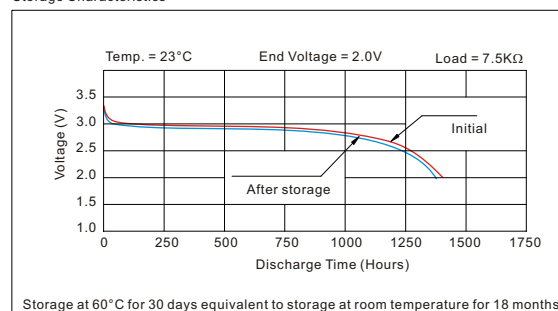
Load vs. Capacity



Pulse Discharge Characteristics



Storage Characteristics



WARNING: Risk of fire and burn. Do not recharge, disassemble, heat above 100°C or incinerate. Do not mix fresh batteries with used batteries.

**Note: The data in this document are for descriptive purposes only and subject to change without prior notice.