

Pin Configuration

Applicable for Lithium Button type cell

Fig.1

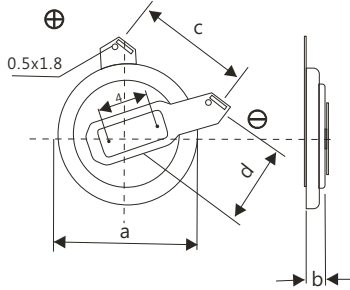


Fig.2

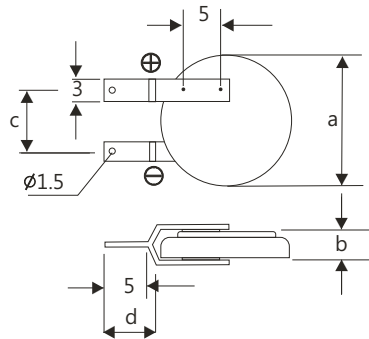


Fig.3

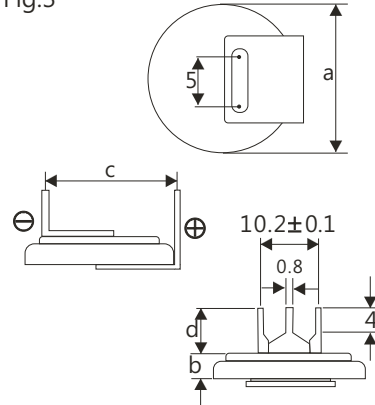


Fig.4

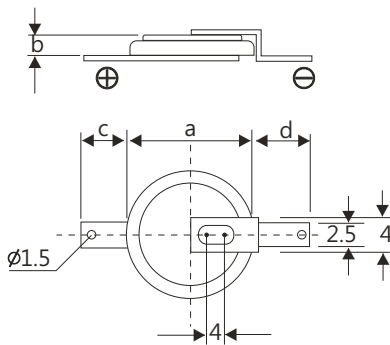


Fig.5

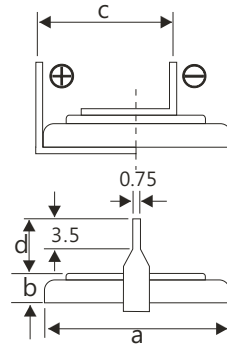


Fig.6

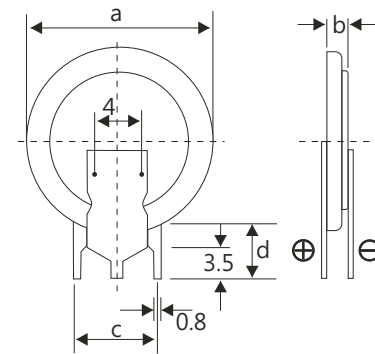


Fig.7

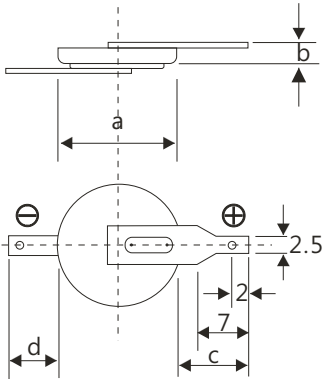


Fig.8

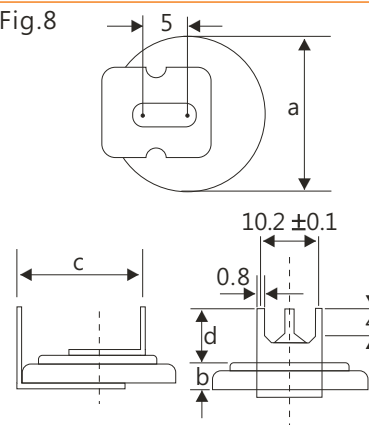


Fig.9

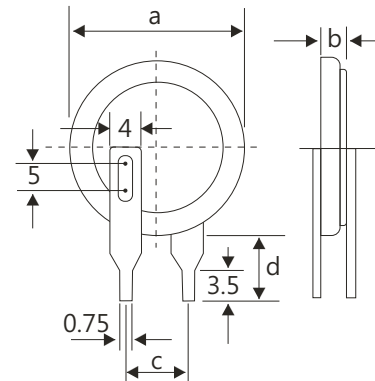


Fig.10

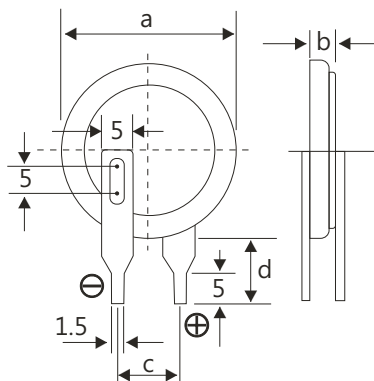
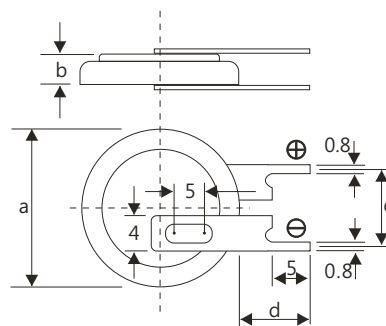


Fig.11



Batteries can be packed and processed according to the requirement of customers. Please contact our engineers for special order.

**Note: The data in this document are for descriptive purposes only and subject to change without prior notice.