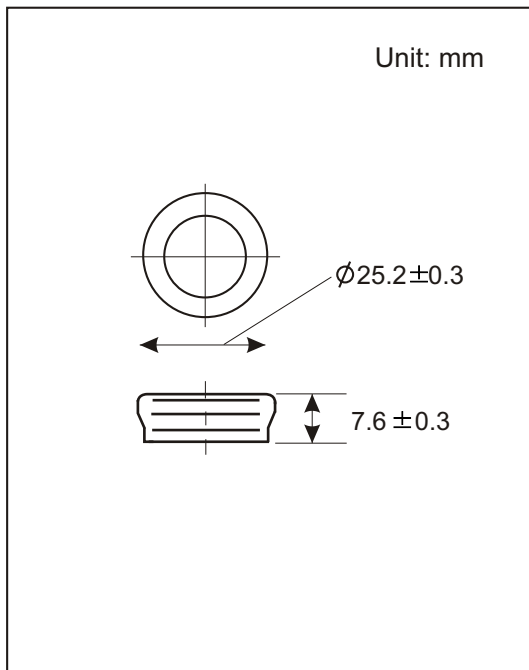


## MH-280 Specification

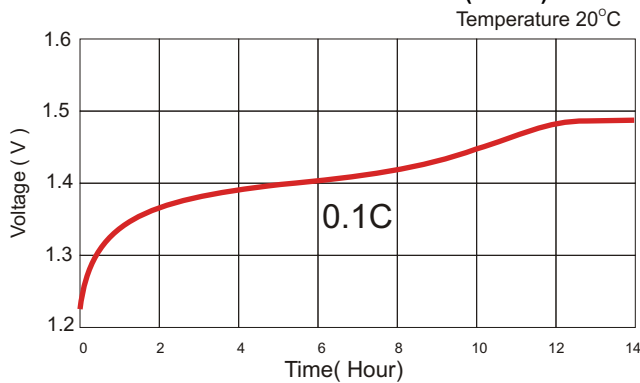
Ni-MH Button Cell

### Specification

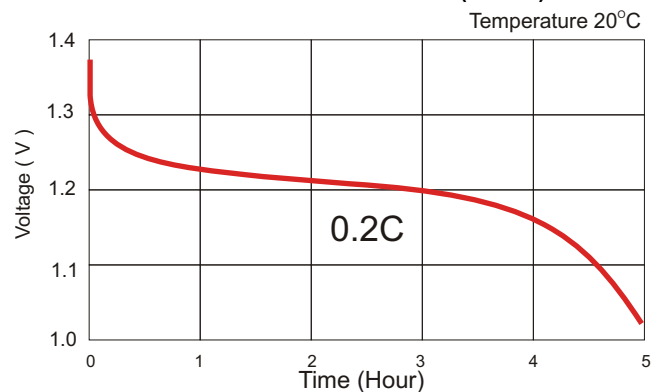


Norminal Capacity	330mAh
Weight	13.2g
Voltage	1.2V
Charge Current	33mA
Trickle Charge Current	9.9 – 16.5mA
Charge Time	14-16 Hours
Discharge Current	66mA
Discharge Time	5 Hours
Battery Life (IEC/CEI61951-2:2001. 4.4)	$\geq 400$ Cycles

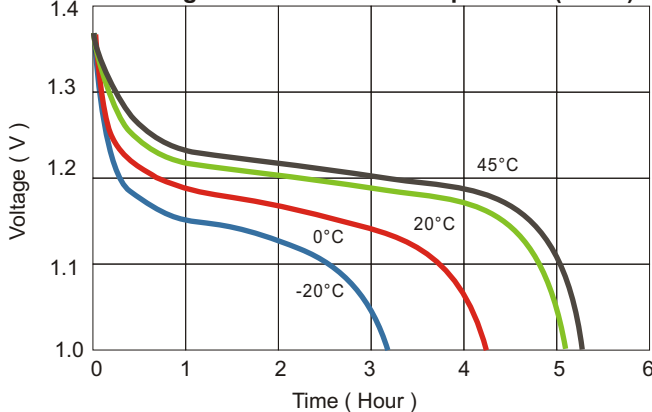
**TYPICAL CHARGE CURVE (33mA)**



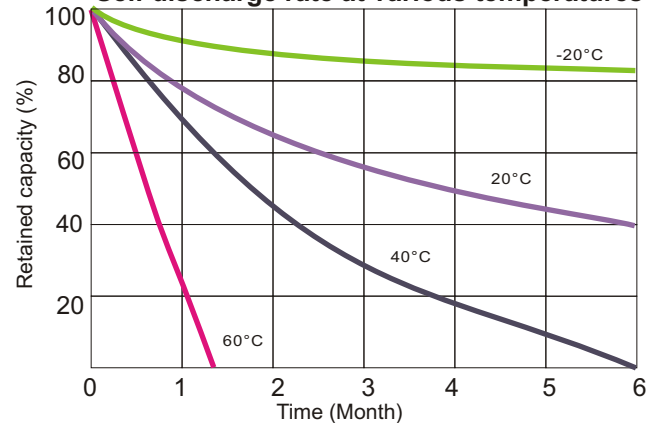
**TYPICAL DISCHARGE CURVE (66mA)**



**Discharge curve at various temperature (66mA)**



**Self discharge rate at various temperatures**



\*\*Note: The data in this document are for descriptive purposes only and subject to change without prior notice.