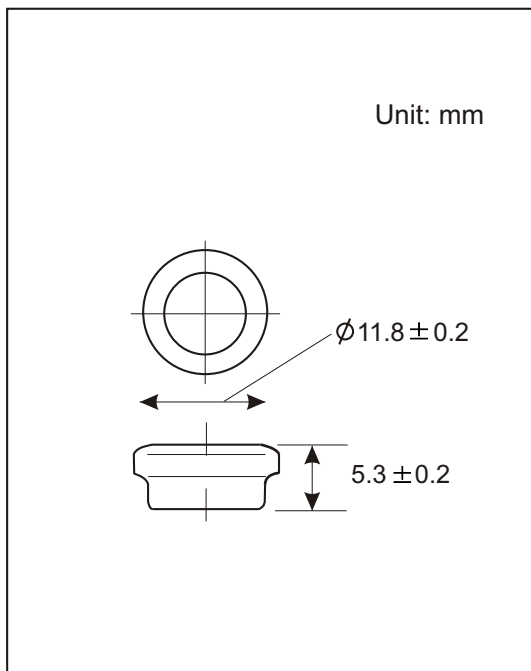


MH-30 Specification

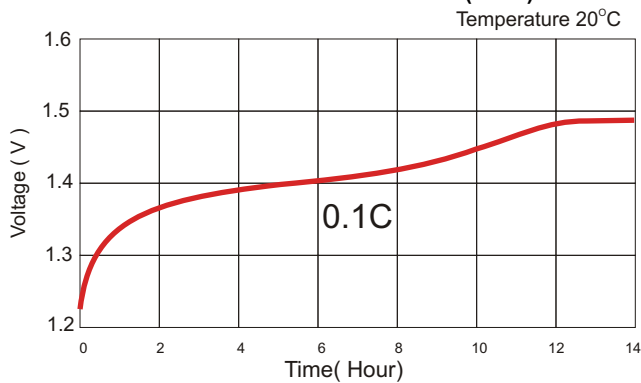
Ni-MH Button Cell

Specification

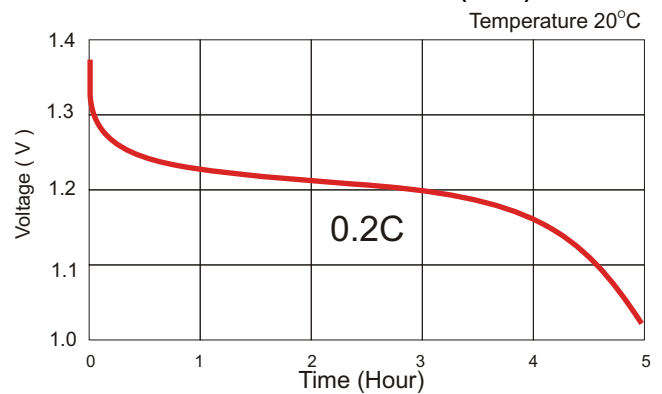
Norminal Capacity	40mAh
Weight	1.8g
Voltage	1.2V
Charge Current	4mA
Trickle Charge Current	1.2 – 2mA
Charge Time	14-16 Hours
Discharge Current	8mA
Discharge Time	5 Hours
Battery Life	≥ 400 Cycles
(IEC/CEI61951-2:2001. 4.4)	



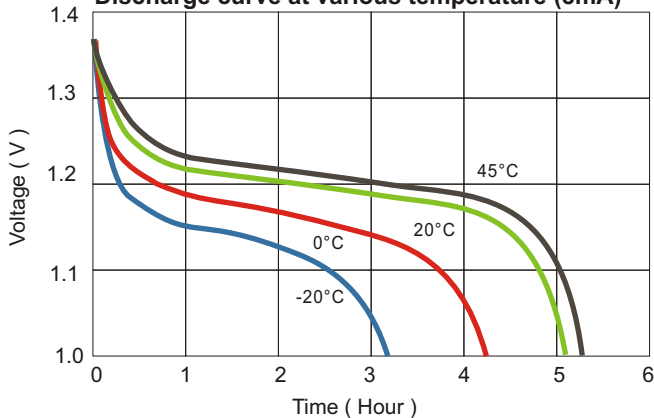
TYPICAL CHARGE CURVE (4mA)



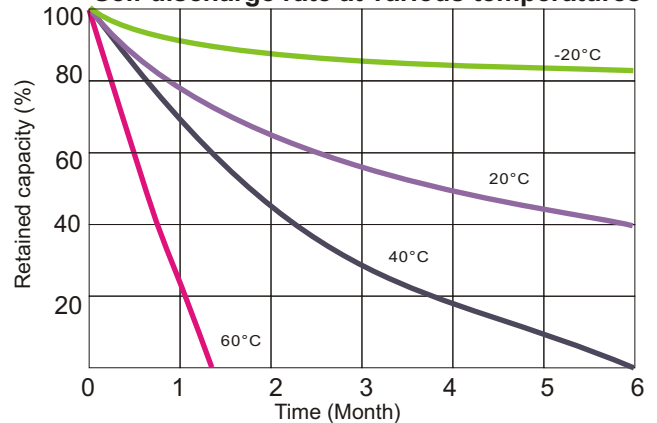
TYPICAL DISCHARGE CURVE (8mA)



Discharge curve at various temperature (8mA)



Self discharge rate at various temperatures



**Note: The data in this document are for descriptive purposes only and subject to change without prior notice.