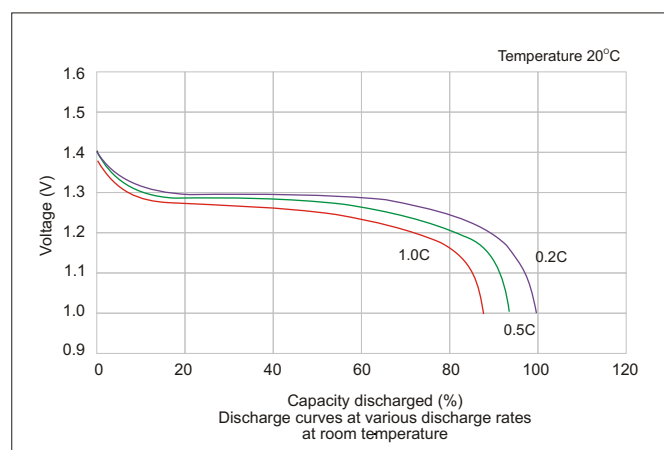
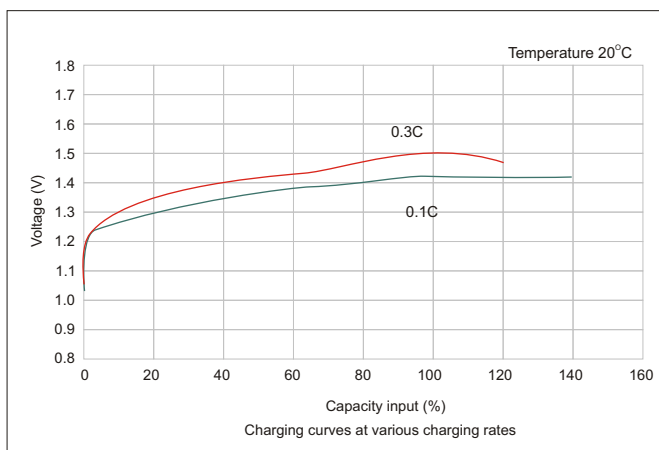
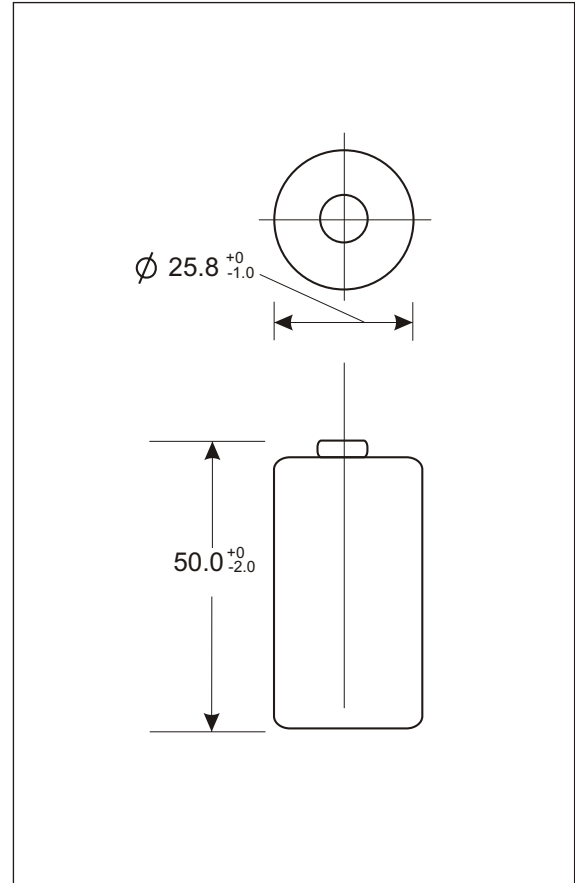


NiMH Cylindrical Battery

Size: C IEC: KR26/50

Typical Characteristics

Model: MH-4500CH		
Specifications		
Nominal Voltage (V)		1.2V
Capacity	Typical (mAh)	4500
	Minimum (mAh)	4500
Dimension	Diameter (mm)	25.8 ⁺⁰ / _{-1.0}
	Height (mm)	50.0 ⁺⁰ / _{-2.0}
Charging	Standard	450mA x 16 hrs
	Rapid	1350mA x 4hrs -ΔV = 5mV
Operating Temperature (°C)	Standard Charging	0 ~ 40°C
	Rapid Charging	10 ~ 30°C
	Discharging	-10 ~ 50°C
	Storage	-20 ~ 30°C
Service Life	>500 cycles (IEC standard)	
Internal Resistance	≤10mOhm	
Weight	Approx.80g	
Cuff-off Voltage (V)	1.00	



**Note: The data in this document are for descriptive purposes only and subject to change without prior notice.