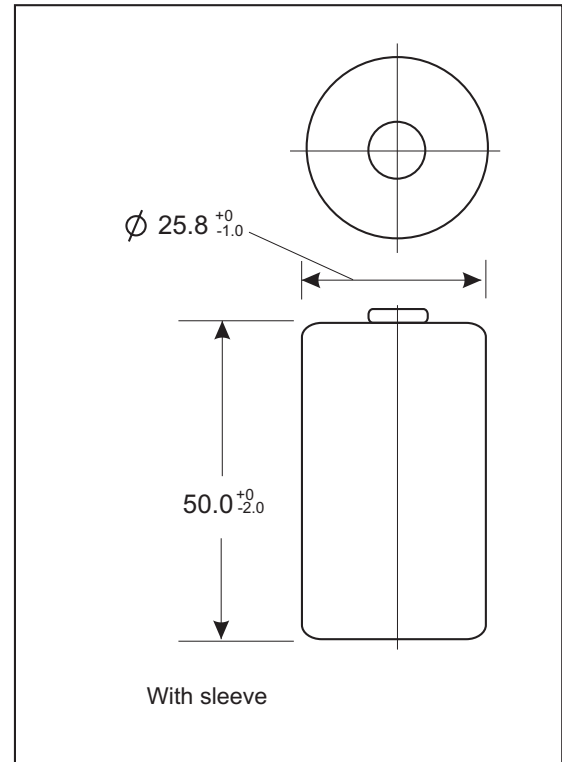


## Typical Characteristics

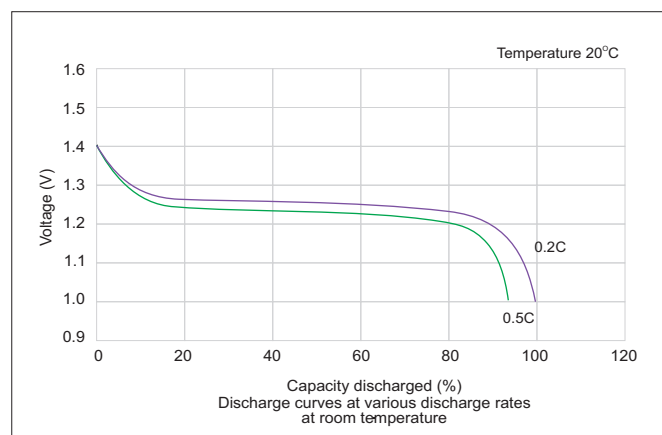
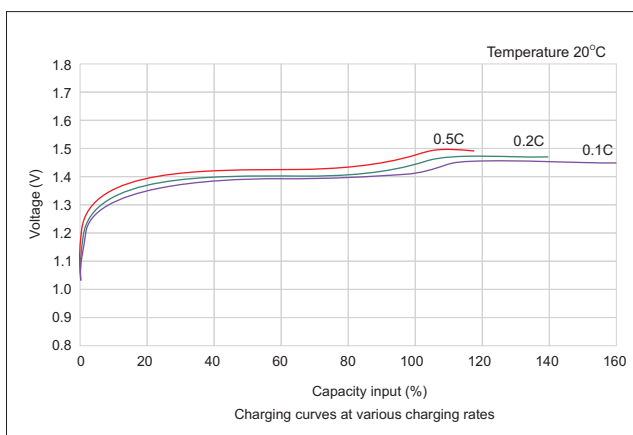
Model: MHX4000CH		
Specifications		
Nominal Voltage (V)		1.2V
Capacity	Typical (mAh)	4000
	Minimum (mAh)	4000
Dimension	Diameter (mm)	25.8 <sup>+0</sup> <sub>-1.0</sub>
	Height (mm)	50.0 <sup>+0</sup> <sub>-2.0</sub>
Charging	Standard	400mA x 16 hrs
	Rapid	2000mA x 2.4 hrs - ΔV = 5mV
Operating Temperature (°C)	Standard Charging	0 ~ 40°C
	Rapid Charging	10 ~ 40°C
	Discharging	-10 ~ 55°C
	Storage	-20 ~ 30°C
Service Life	>500 cycles (IEC 16951-2 2003)	
Internal Resistance	≤10m Ohm / cell	
Weight	Approx.75g / cell	
Cuff-off Voltage (V)	1.00 V	

## NiMH Cylindrical Battery Low Self-Discharge Version Size: C



### Charge (Capacity) Retention (at 20°C)

Charge	Storage	Discharge	Capacity Retention
400mA 16 hours	6 months	800mA to 1.0V	80%
400mA 16 hours	1 year	800mA to 1.0V	70%



\*\*Note: The data in this document are for descriptive purposes only and subject to change without prior notice.